



UFP170

使用说明书 USER MANUAL

此发动机并非玩具，请务必注意安全。由此引起的所有安全问题我们将不予负责，请您在使用前仔细阅读说明书。

This engine is not a toy, please pay attention on safety. Make sure you have read the manual carefully before operation. UFP is not responsible for any injuries from the use.

一、安全 (SAFETY)

1、使用前请仔细检查螺旋桨、发动机架等相关部位，保证螺丝、螺母不松动，安装时建议使用螺纹胶（比如：LOCTITTE 242）紧固螺丝、螺母。安装螺旋桨时每个螺栓拧紧力矩 $11 \pm 1N.m$ 。

Before use, check the engine assembly, propeller and bracket for loose screws and nuts. Tighten glue is recommended (ex. ELoctitte 242) on all the screws, nuts. While installing propeller, tighten each bolt for $11 \pm 1N.m$.

2、如果在测试台上测试发动机，必须要有减震装置，可则可能导致发动机损坏。最好把发动机安装在飞机上进行磨合。

During the break-in process, engine must running with the vibration damper installed, otherwise the engine may be damaged. It's better to set the engine on a plane to run the break-in.

3、发动机在运行时，任何人不允许在螺旋桨旋转平面前的位置。

Do not allow anyone be in front of or to the sides of the propeller when the engine is running.

二、发动机参数 (SPECIFICATIONS)

1、性能 (Performance)

功率 (Power) : 17.5HP/7500rpm

低怠速 (Low Idle Speed) : 1100rpm

适用火花塞型号 (Sparking Plug) : NGK CM6

适用螺旋桨规格 (Propeller) : 30X12; 32X10

2、参数 (Parameter)

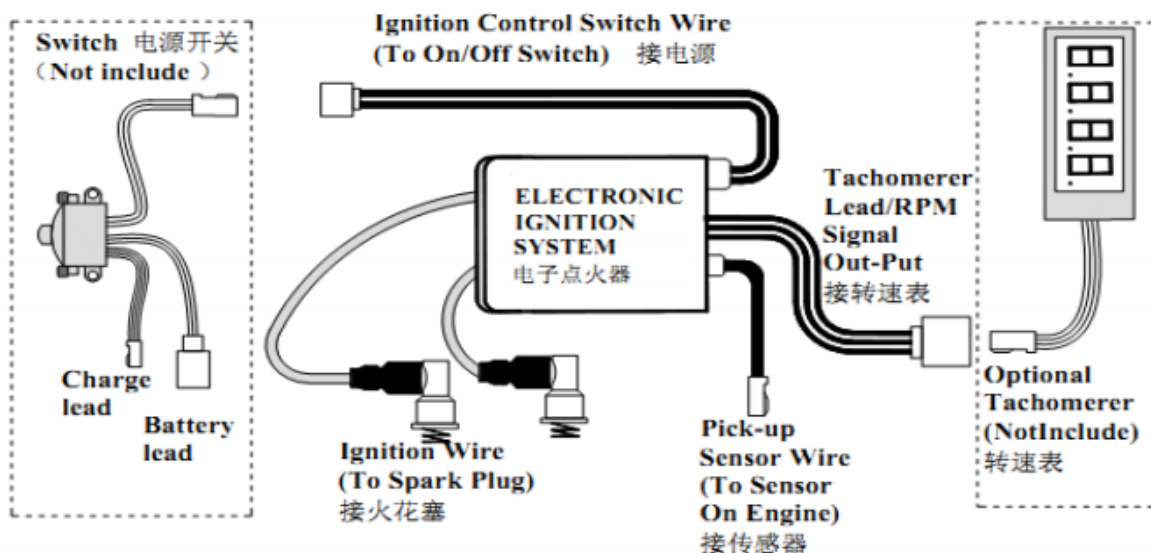
排量 (Displacement) : 170cc

缸径 X 冲程 (Bore X Stroke) : 52mm X 40mm

压缩比 (Compression Ratio) : 9.5: 1

燃油配比 (Fuel Ratio) : 50:1

3、点火器工作电压 (Ignition Volt) : 8.4V

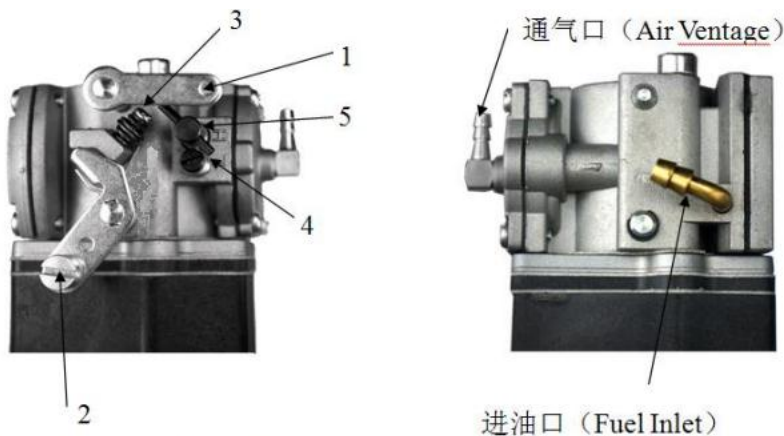


三、发动机的调整 (SPECIFICATIONS)

1、每台发动机出厂时都经过初步调整，用户可以直接使用。但各地区海拔高度将会影响化油器的正常工作，化油器油针可能需要进行微调才能达到最佳的工作状态。

Every engine has been adjusted in workshop which will likely allow the engine to be used in most areas. However, the altitudes have effects on carburetor, it is possible that the carburetor need to be adjusted to obtain optimum performance.

2、化油器功能及调整 (Carburetor Function and Adjustments)



- (1)、阻风门 (Choke Control)
- (2)、油门 (Throttle Control)
- (3)、怠速调节螺丝 (Idle Adjustment)
- (4)、低速油针 (Low Speed Needle)
- (5)、高速油针 (High Speed Needle)

调整：低速油针 4，一般是把油针沿顺时针方向拧到底再退回 1.5 圈；高速油针 5，一般是把油针沿顺时针方向拧到底再退回 1.25 圈。

Adjustment: for low speed needle (See No. 4), turn it to the bottom in clockwise direction and then turn back 1.5 cycle; for high speed needle (See No.5), turn it to the bottom in clockwise direction and then turn back 1.25 cycle.

3、发动机的启动 (Start the engine)

(1) 冷机启动时，先关闭（或堵住）化油器的外风门，加大化油器的油门（节气门）开度，打开点火电源启动发动机。发动机启动成功后，运行 5 秒钟左右，关闭发动机。然后，打开化油器外风门，调小化油器的油门（节气门）开度，再次打开点火电源启动发动机。

While the engine is at atmospheric temperature, turn off (block) the carburetor choke, turn the throttle at high location, turn on the ignition to start the engine. Keep the engine running about 5 seconds, then turn off the engine. Turn on the carburetor choke, turn the throttle at low location, turn on the ignition to start the engine again.

(2) 热机启动时，使化油器外风门处于打开状态，调小化油器的油门（节气门）开度，直接点火启动发动机。

While the engine is hot, keep the carburetor choke open, turn the throttle at low location, turn on the ignition to start the engine directly.

四、发动机的保养（MAINTENANCE）

1、请使用清洁的 95#汽油，和两冲程发动机专用机油。汽油与机油按 50:1 进行配比。强烈建议使用优质的两冲程发动机专用全合成机油。

Please use the petrol 95#, and the special lubrication oil for 2-stroke engine. The ratio of petrol and oil is 50:1. Strong suggestion of using high quality synthetic special lubrication oil for 2-stroke engine.

2、发动机的磨合：3000rpm 磨合 0.5 小时。长时间低速运行，可能导致发动机积炭严重。

Break-in at 3000 rpm for 0.5 hour. Runing at low speed for a long time may cause heavy carbon.

3、随时检查油箱到化油器之间的管路，不允许有漏气。

Check the tube at fuel system, make sure there is no air leaking.

4、使用一段时间后，清洁化油器里面的燃油滤网，否则将引起油针调节失灵，发动机工作不稳定等情况。

The carburetor fuel screen should be cleaned periodically. Otherwise the carburetor oil needle may be out of order, and the engine couldn't run stably.

五、质量保证与售后服务（Quality Assurance and After Sale Service）

1、发动机机体（曲轴箱、曲轴）质保期三个月，质保期内出现质量问题，免费提供维修或更换。用户使用不当造成的损坏，不在质保范围之内。超出质保期时，永久提供有偿维修服务。

Engine body (crankcase, crankshaft) warranty period is three months. Free repair or replacement for he quality problems in warranty period. Damage caused by improper use of the user is not covered by the warranty. Beyond the warranty period, the permanent provision of paid maintenance services.

2、发动机机体以外的其他零件，永久提供有偿维修服务。

Permanent provision of paid maintenance services for all the parts besides engine body.

3、售后服务 (After Sale Service)

技术咨询电话 (Tel): (+86) 0710 2393021

地址 (Address): 湖北省襄阳市高新区深圳工业园珠海大道襄阳科技城

Sci-Tech Branch, Zhuhai Avenue, Shenzhen Industrial Area, High-Tech Zone,
XiangYang, Hebei, China

襄阳联航动力技术有限公司

XIANGYANG UNITED FLIGHT POWER TECHNOLOGY Co.,Ltd.